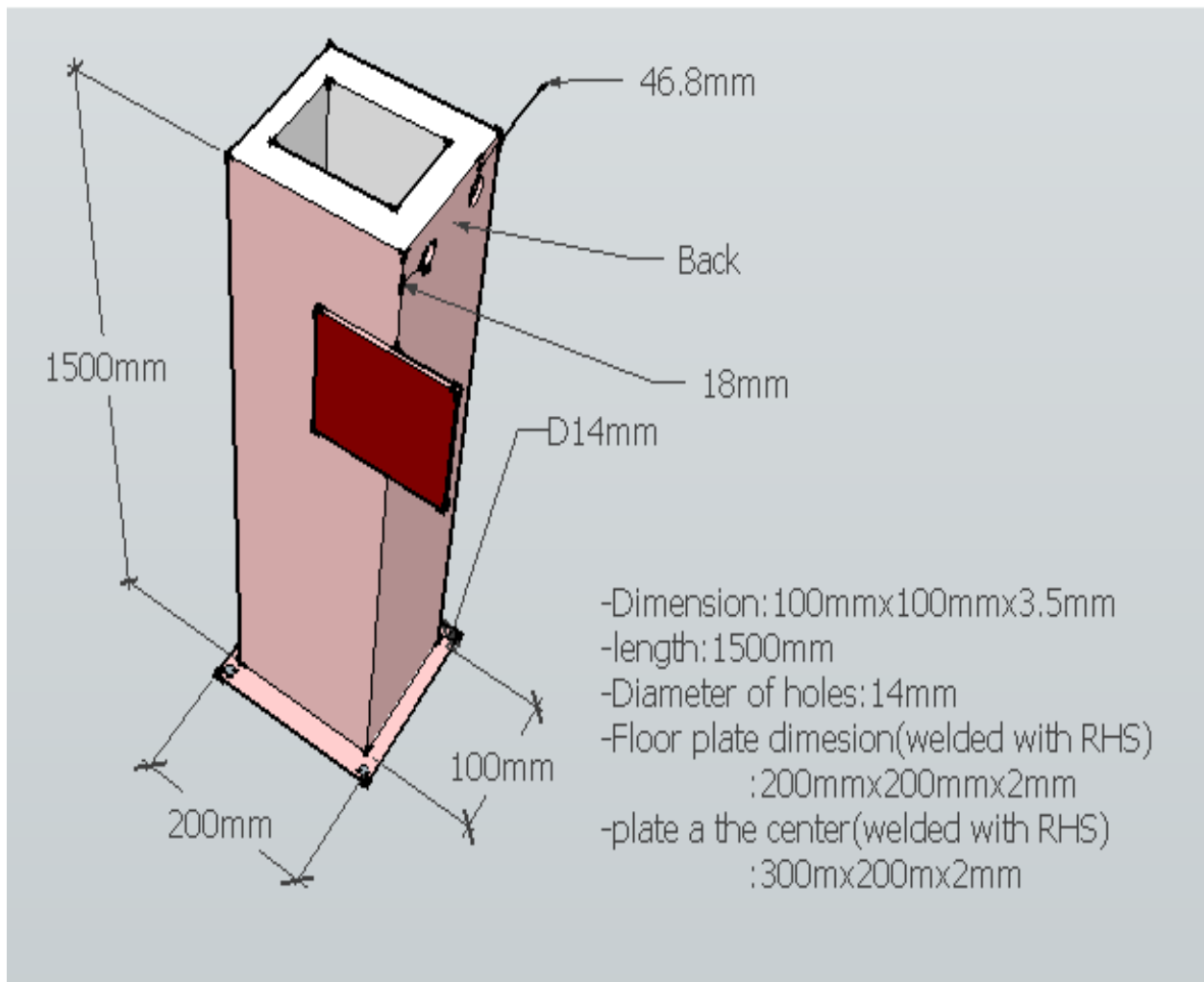
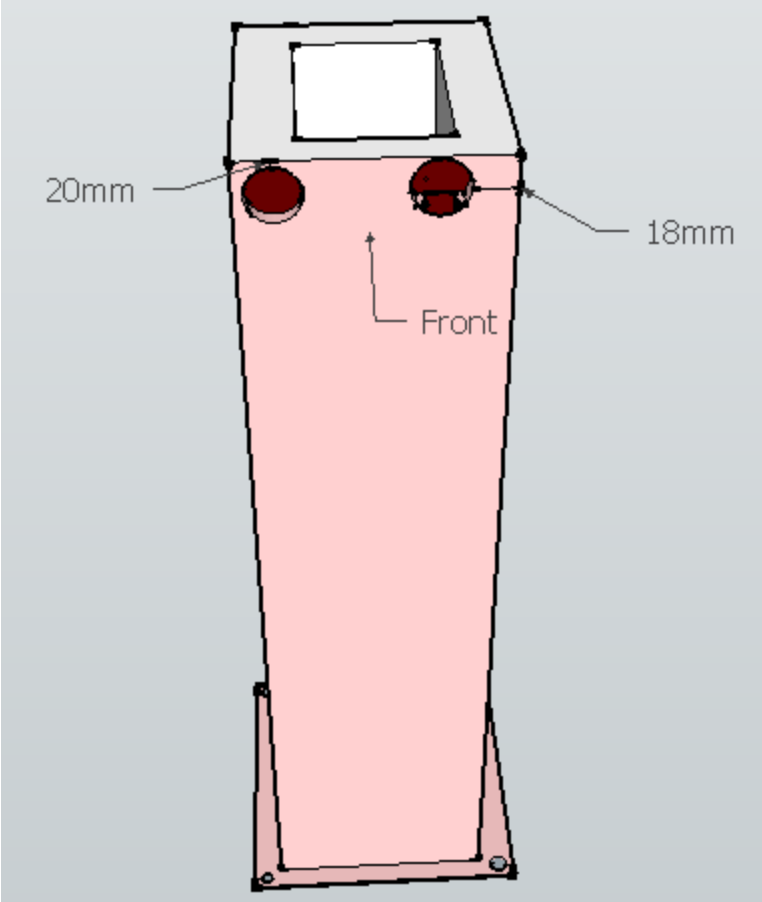
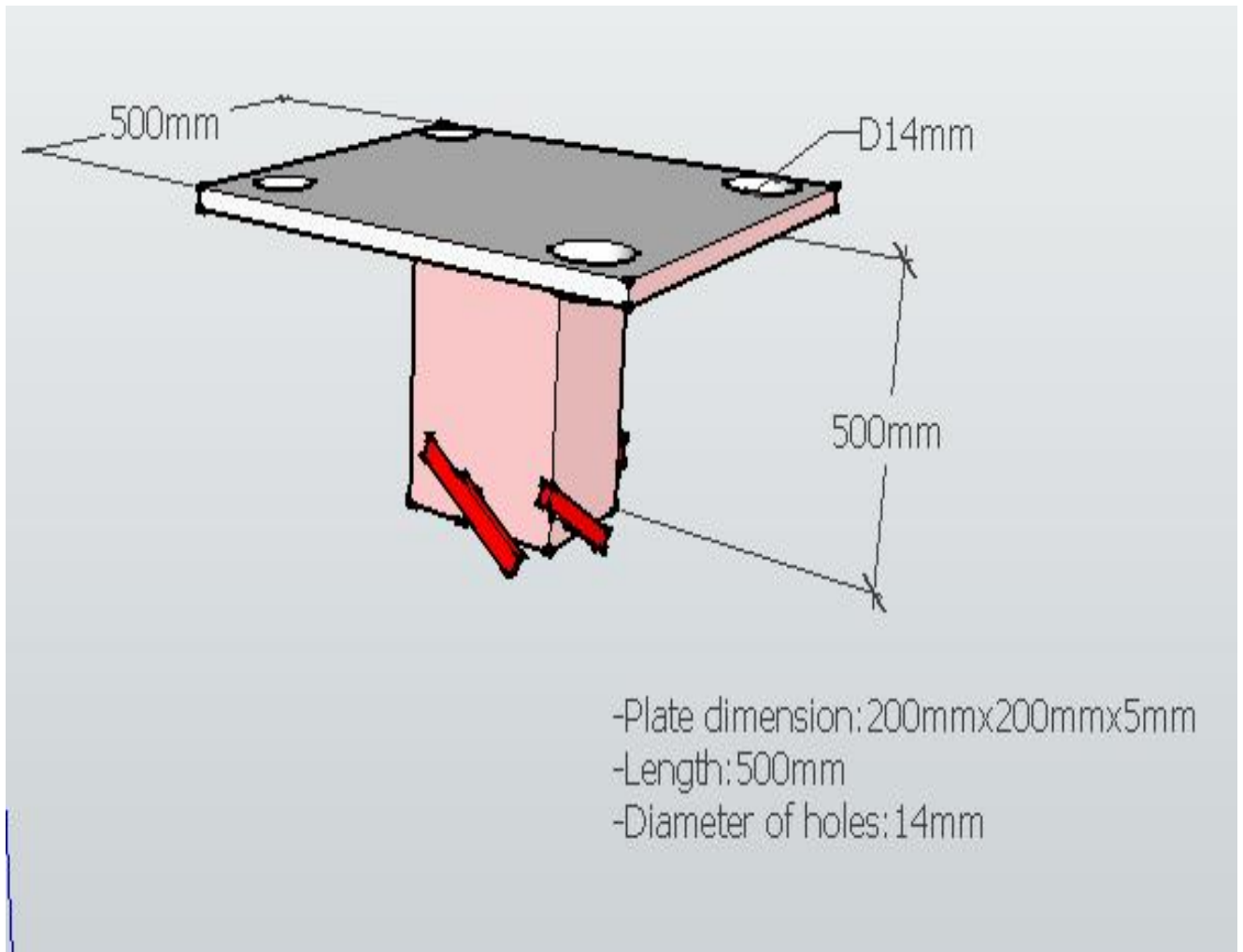


1. PV stand (RHS).

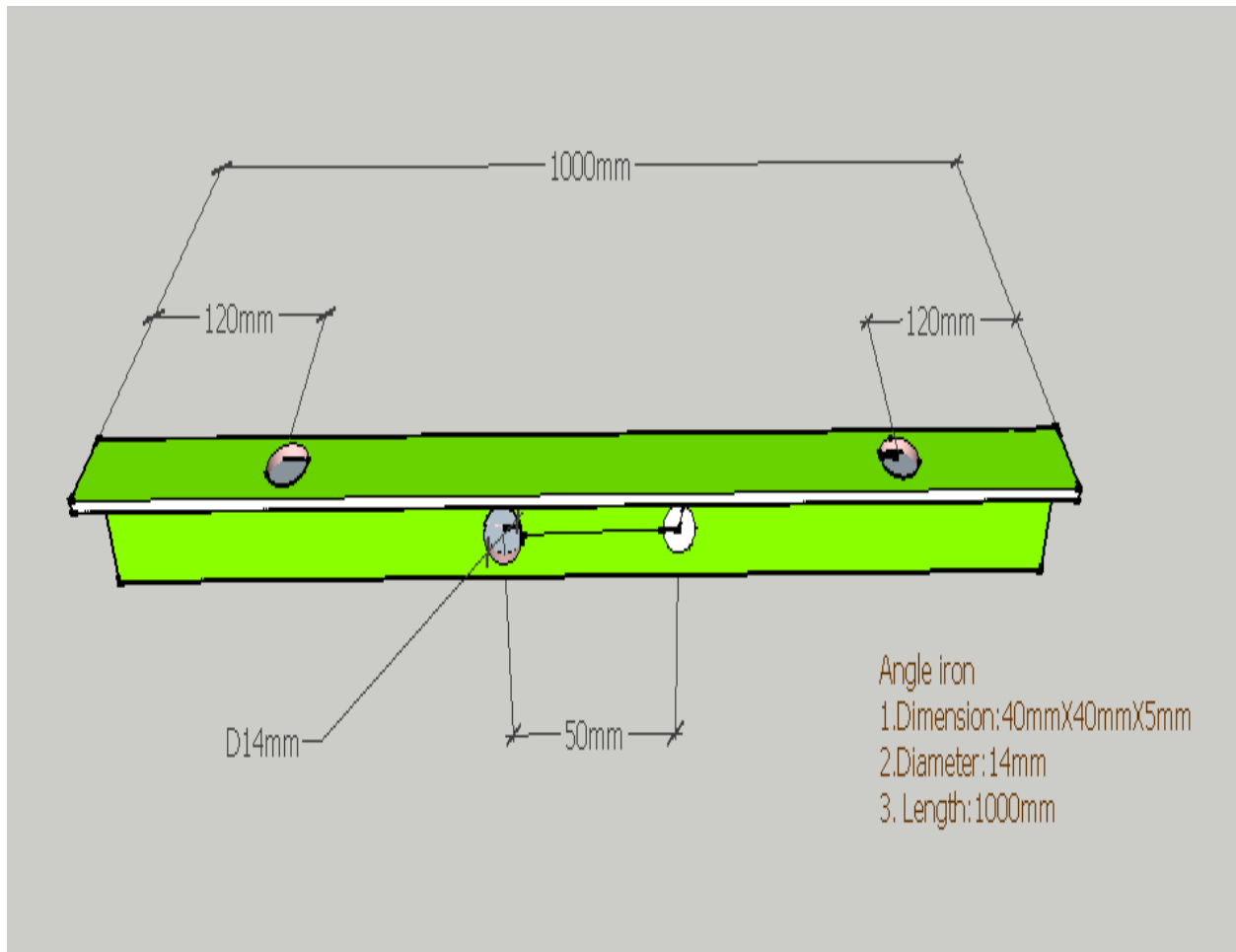




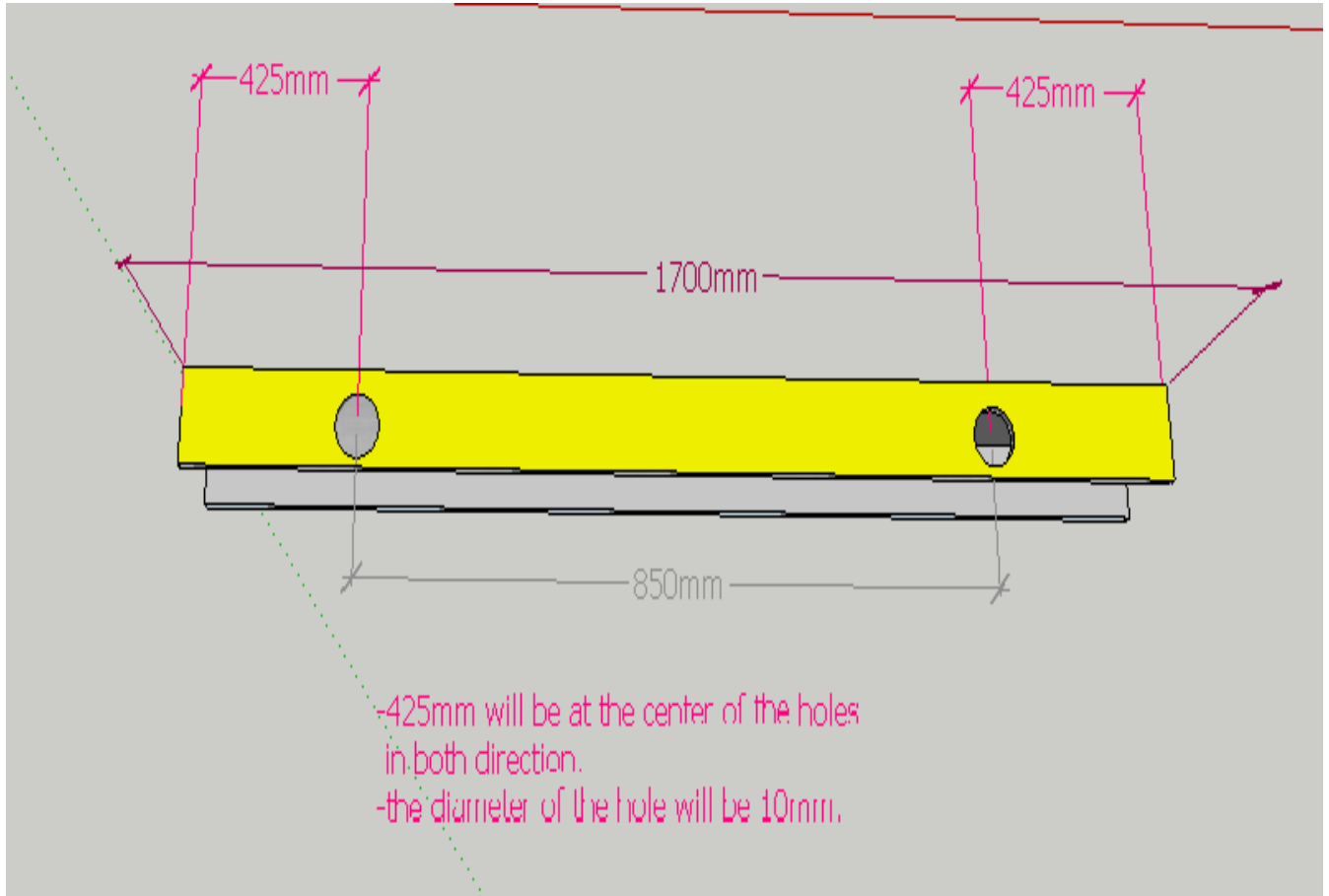
2. Plate with RHS

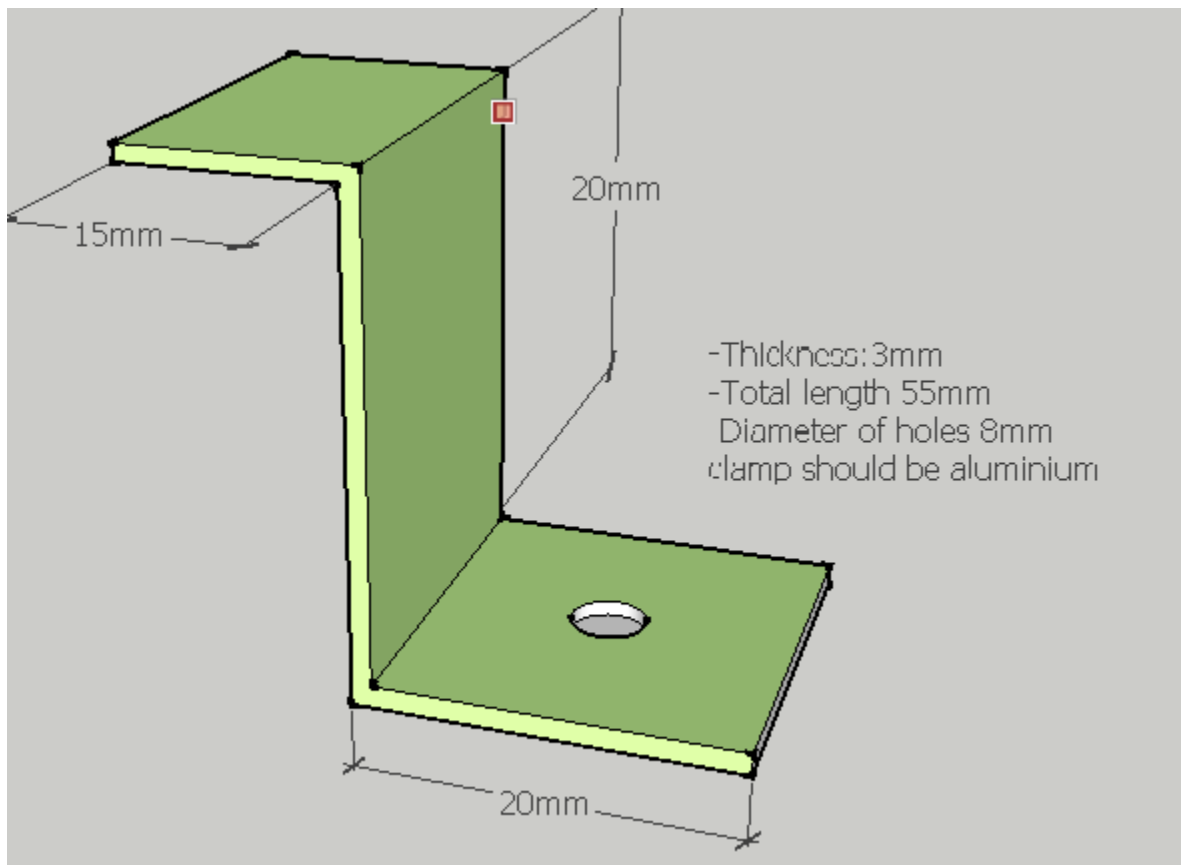
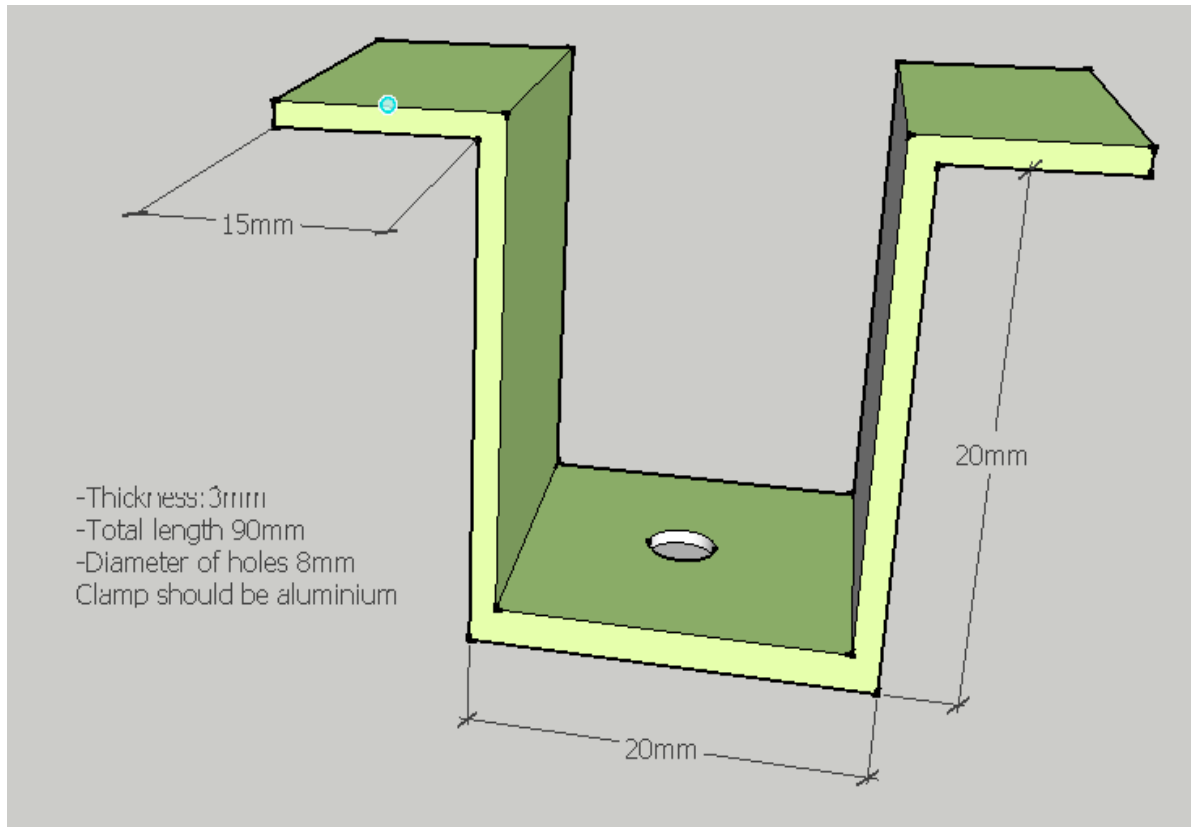


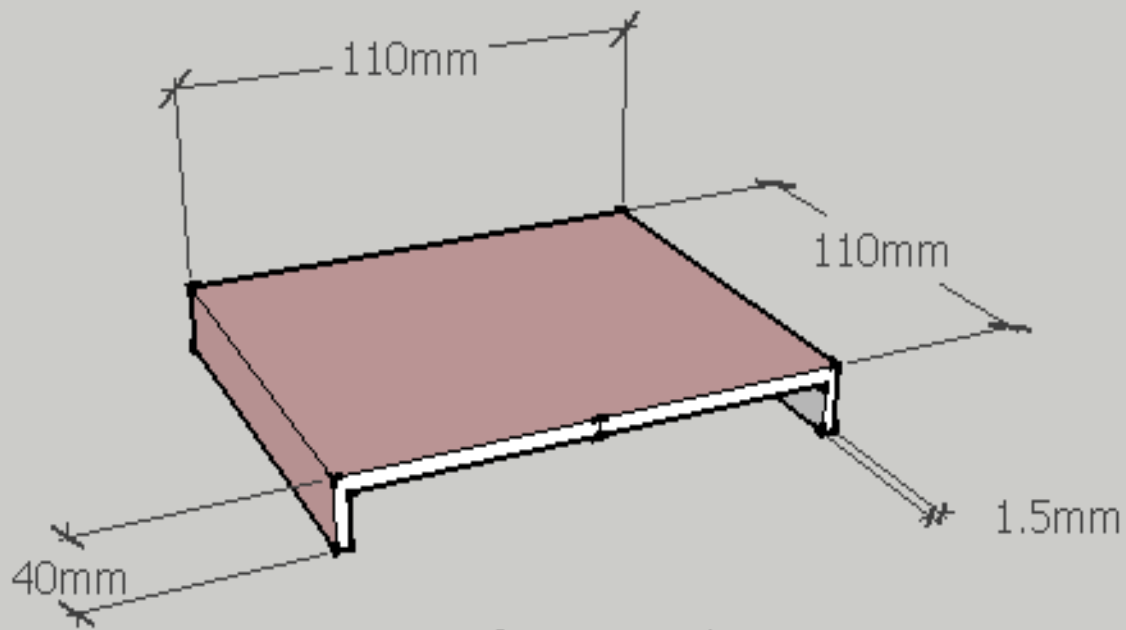
3. Angle Iron



4. U-channel







Cover for PV stand
Dimension: 110mmx110mmx30mm
Thickness 1.5mm.

